

# DP-541

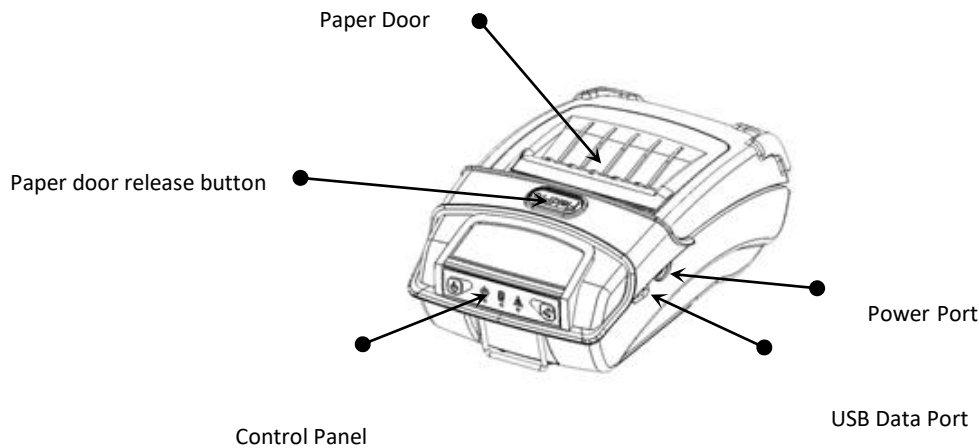
## Quick Start Guide

This guide provides information on the daily use of the DP-541 printer.  
For additional information, please refer to the DP-541 User Guide.

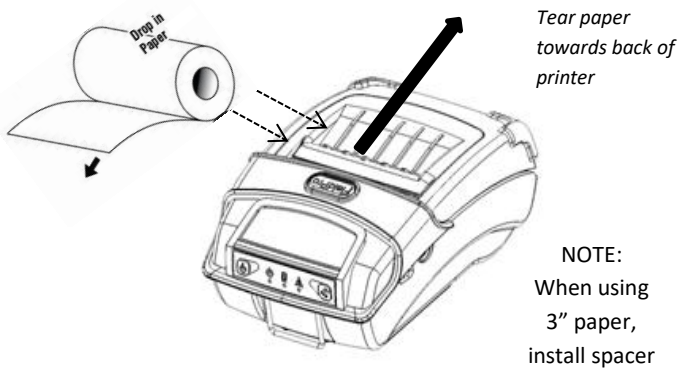
Before you begin, please visit <https://www.dascom.com/downloads.html>  
Printing Solutions; Download Centre, to download the according printer driver.



### Printer features



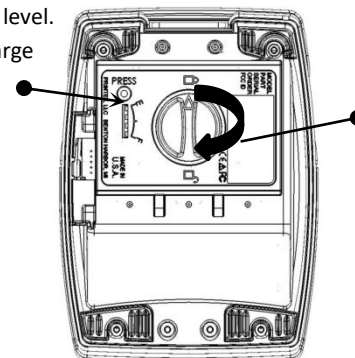
### Media



Press Paper door release button to open the paper compartment door. Pull small leader of paper out and close paper door. "Clicks" when properly closed.

### Battery

Press button to see battery charge level.  
4LED 100% charge  
3LED 75%  
2LED 50%  
1LED 25%



Loosen hand strap (not pictured) to access battery door.

Rotate knob 180° to unlock battery door.

Drop in battery. Close battery door and rotate knob 180° to lock.

### Disposal

Please dispose the batteries separately and free of cost at your sales agency or the designated local collecting points. Therefore please consider the national recycling standards! Disassembly and removal of the batteries are described in the User Guide.

# DP-541 Quick Start Guide

## Control Panel indicators



Power & Status (Green/Red)	Battery (Yellow)	Alert (Red)	Indication
On	Off	On	Booting up
On	Off	Off	Ready
On	Off	Flashing	Paper Error/Lid Open
Flashing	Off	Off	Job is arriving
Flashing	Off	Off	Job is printing
Flashing	Off	Flashing	IP over USB active
Solid, Flashes Off Every 2 Seconds	Off	Off	Wireless Personal Area Network active
	Solid		Charging Battery
	Flashing		Battery Low

	Function:	How to:
Power Button	Power up Power down Toggle IP over USB on/off	Press & Release Press & Hold Press Twice
Paper feed button	Advance paper Print setup report	Press once Press twice

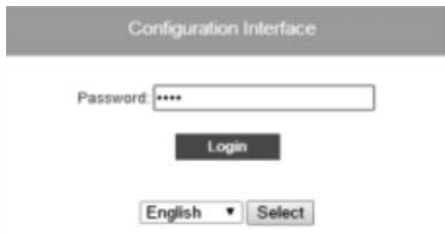
## Self-Test / Configuration print out



With power on, press the paper feed button twice quickly.

## USB Access to Printer Web Pages

1. Turn the printer ON.
2. Connect a USB cable between the printer and a PC.
3. To access the DP-541 web page, push the Power button twice rapidly. This will put the printer into Configuration mode.
4. When the printer is in Configuration mode the POWER and FAULT LEDs will flash together.
  - a. Open browser on your PC and type [169.254.200.1](http://169.254.200.1) into the address bar of the browser and hit Enter - A login box should appear:
  - b. Type "0000" and hit Enter- you should now be at the home page for DP-541 Configuration.
5. To return the printer to normal operating mode, double click the POWER button. The Power LED will be returned to a solid light.



Some country specific Windows Operating Systems does not have activated or installed the RNDIS driver to use the IP-over-USB mode. Therefore, please refer to our Dascom Internet pages.



Once the printer is connected via USB and in *IP over USB* mode it is temporarily not possible to access the Internet.

## Dascom Representatives

Americas	Dascom Americas LLC	34 Lakeview Court	Verona, VA 24482, USA	Phone: +1 (877) 434 1377
UK	DASCOM GB Ltd	Hart House, Priestley Road	Basingstoke, Hampshire, RG24 9PU	Phone: +44 (0) 1256 355130
Germany	DASCOM Europe GmbH	Heuweg 3	D-89079 Ulm	Phone: +49 (0) 731 2075 0
France	DASCOM Europe GmbH	117 Avenue Victor Hugo	92100 Boulogne-Billancourt	Phone: +33 (1)73 02 51 98
Singapore (AP)	DASCOM AP Pte Ltd	2 Jurong East Street 21	#05-42, IMM Building, Singapore 609601	Phone: +65 6760 8833